

VolvoTech.EU MANUAL



Kind	Installation manual
Title	Installation manual Aux2BT XC60
Language	English
Version	1.00
Date	180214
Applicable to	Aux2BT upgrade in XC60 with Aux
Contents	Manual describes the installation of the Aux2BT in XC60



Aux2BT installation manual

Applicable to:

Aux2BT (VolvoTech's Aux2BT installation)

Installation manual and description of connections.

Pre requirements for this document to be useful:

- Volvo XC90 (2009+)
- Aux2BT set fomr VolvoTech available

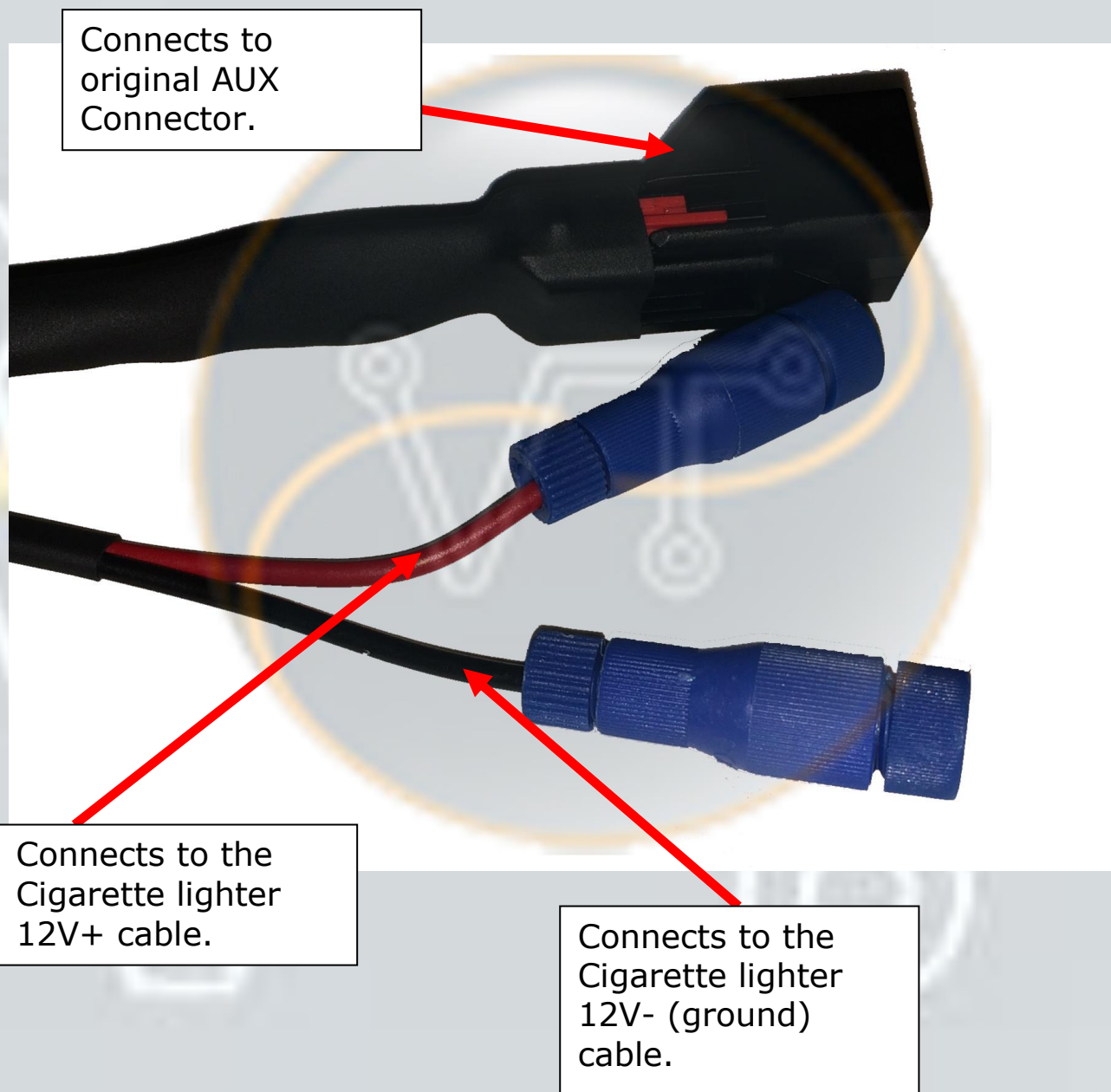
Need to know:

- Obviously we try to put as much information in a manual as we can. Sometimes things are "normal" and "of base logic" to us, which might not be for you, simply because you are not installing electronics in your car daily, and we are. Please in cases where we seem to miss out on information in a manual; think logically, measure power and/or contact us!
- In case you might have any questions, please email us at support@volvotech.eu



CONNECTIONS

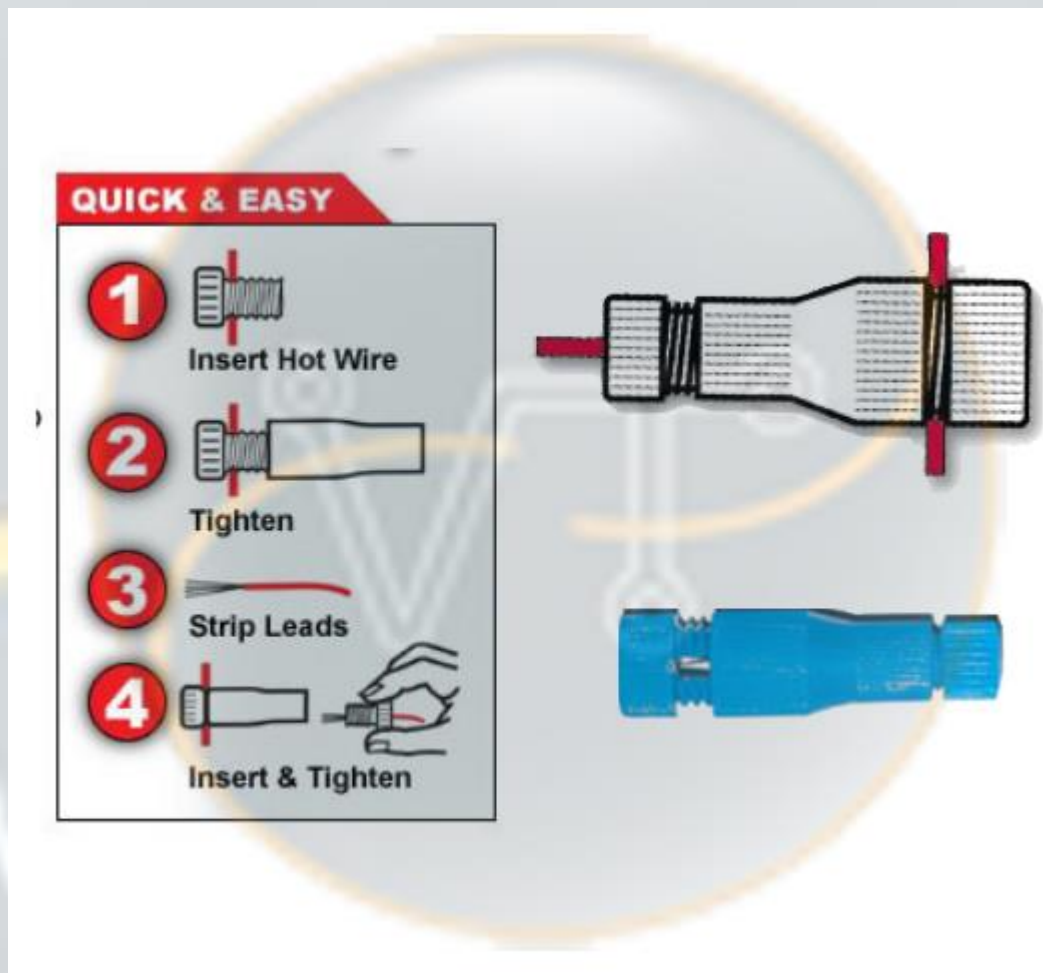
Please read carefully before performing installation:





CONNECTOR FOR POWER:

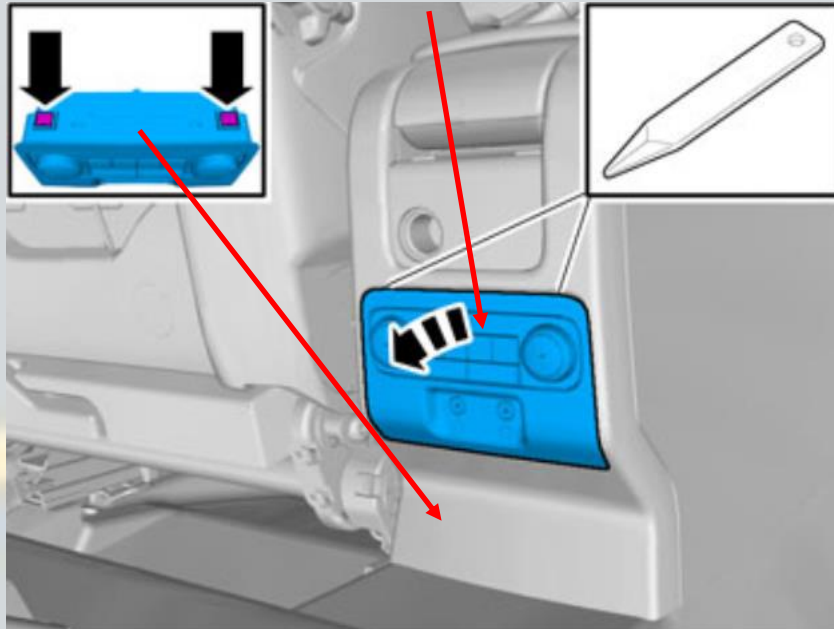
Please read carefully before performing installation:

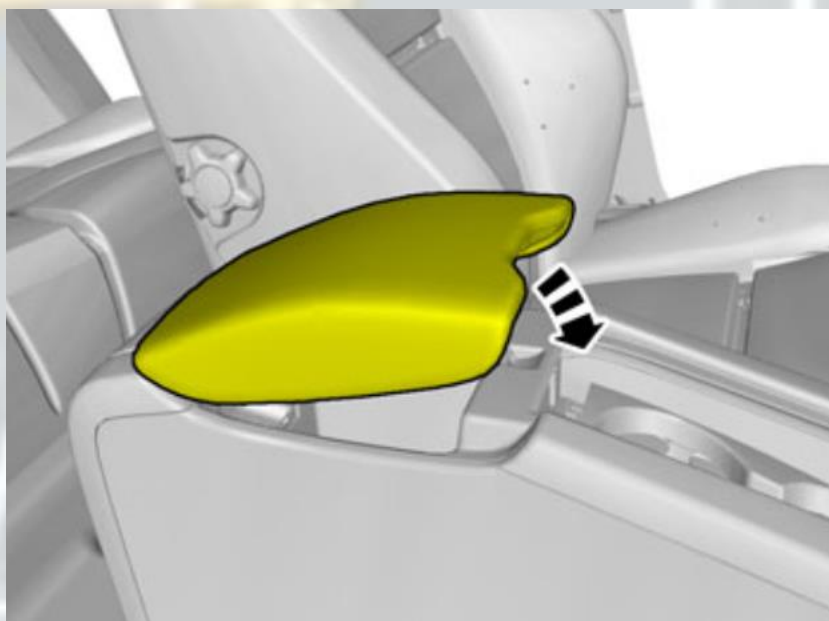
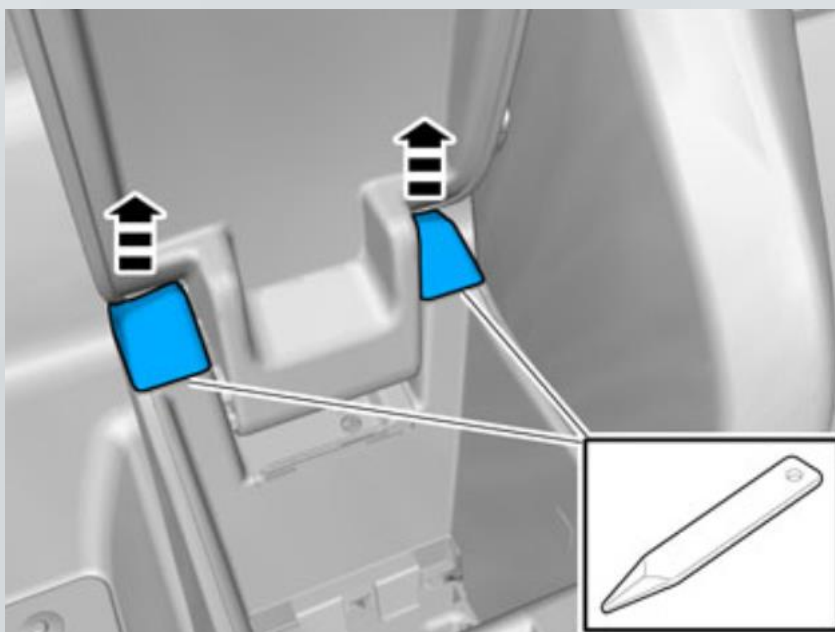


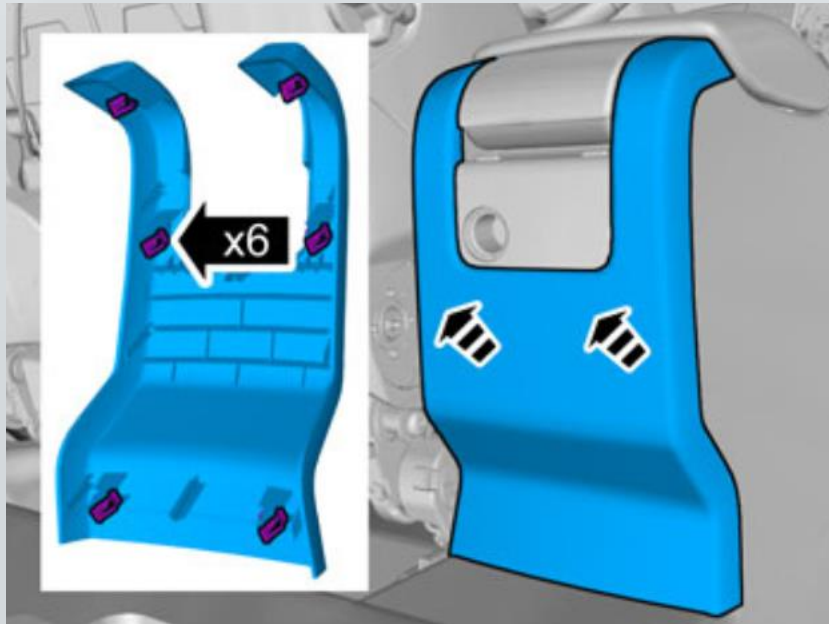


INSTALLATION IN YOUR VOLVO

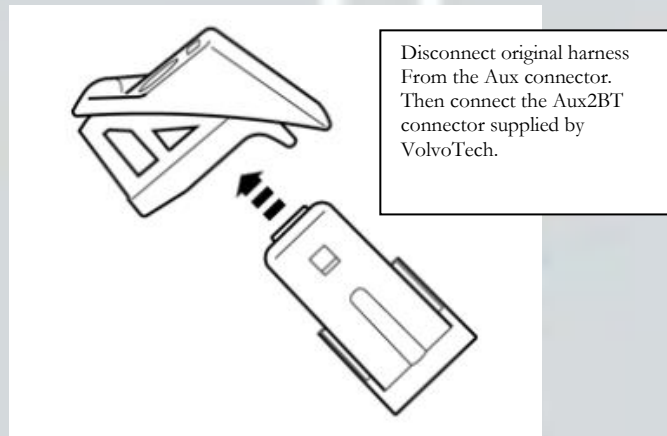
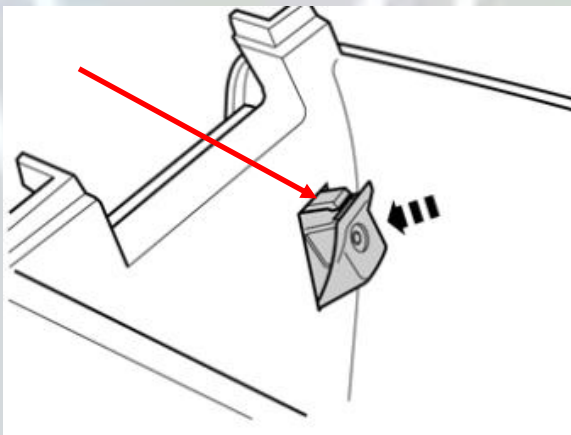
Remove panel 1, then remove panel 2 (can be a blank panel or a audio panel, depending on your car config):







Then feel and look inside. You'll find (towards the inner part of the mid-arm-rest) the Auxiliary connection. Remove the harness (connector+cable) from it and connect it to the Aux2BT adapter from VolvoTech.



Then reach inside with your hand in the direction of the Aux connector. Disconnect the connector there and connect that to the Aux2BT connector.

Last connect the power.

Red in the Aux2BT set -> 12V+ from cigarette lighter connection (generally green/orange)



Black in the Aux2BT set -> 12V- from cigarette lighter connection. (generally black/purple)

Just "reach up" with your hand towards the lighter and follow the cabling down. Then find Yellow/green or yellow/purple for 12V+ and Black (or black/purple) for 12V- (GND).

Connect the with the blue supplied connectors and all is done!

Note : for 12V+ and GND in the car, man colors have been used. Generally the brightest wire going towards the cigarette lighter point is the 12V+.

Test the installation;

- switch ignition to position 2.
- select AUX source on your radio.
- enable Bluetooth on the phone (or similar device) and search for "VolvoTech" as bluetooth device.
- play music.
- In reverse order, complete the installation by putting back all panels.

Installation finished.