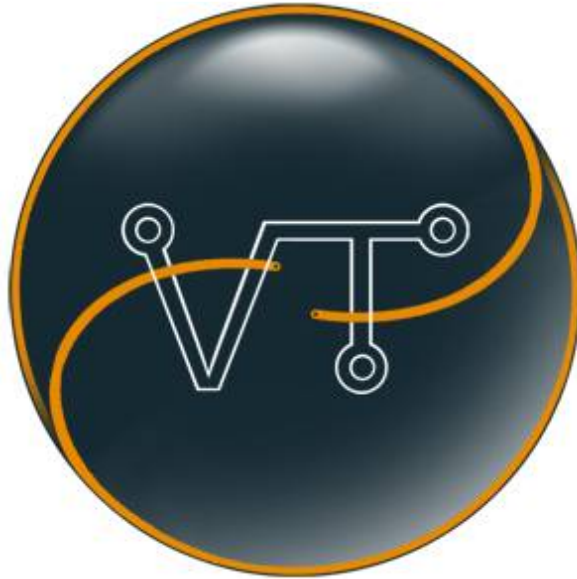


VolvoTech.EU MANUAL



Kind	Installation Manual
Titel	Installation manual for CFE (Canbus Function Extender)
Language	English
Version	1.2
Date	January 22nd 2013
Applicable to	CFE with CFE-AEM connector
Contents	Manual describes installation of the CFE in your Volvo in combination with the AEM connection set.



CFE Installation MANUAL

Applicable to:

CFE with CFE-AEM cable.

To install the CFE in your Volvo, using the CFE-AEM connection set, a few simple steps are to be taken.

Pre requirements;

- Car ignition is in position OFF.
- AEM cable or AEM module in your Volvo has been found.
(You do NOT need the AEM Module for the CFE to work, just the AEM cable is enough. IF there is an AEM Module installed, that will keep functioning OK with the CFE in between!)

IF you do not have the AEM Module or the AEM Connector available in your Volvo, just order any of the other matching CFE-cable-sets!

- CFE has been configured with the CFE Updater software



Does my Volvo have an AEM or AEM-cable installed?

The first way : *(Valid check for all Volvo's)*

Volvo has installed the AEM cabling as a standard (factory installed) from of certain serial numbers. SO, if your serial is "higher" then the number mentioned in the second colum, you have a AEM cable for sure (according Volvo) and are safe to order and use the AEM connection set.

If your serial is "lower" then the serial mentioned here, follow next steps to find out if your Volvo has an AEM cable.

According to Volvo, the following table should be correct;

Model	AEM available as standard:	Remarks
S60	157683 -	
V70	227594 - (*1) 227110 - (*2)	If 7th digit of VIN = 1 If 7th digit of VIN = 2
XC70	068718 -	
S80	264631 -	
XC90	Up to MY2005	

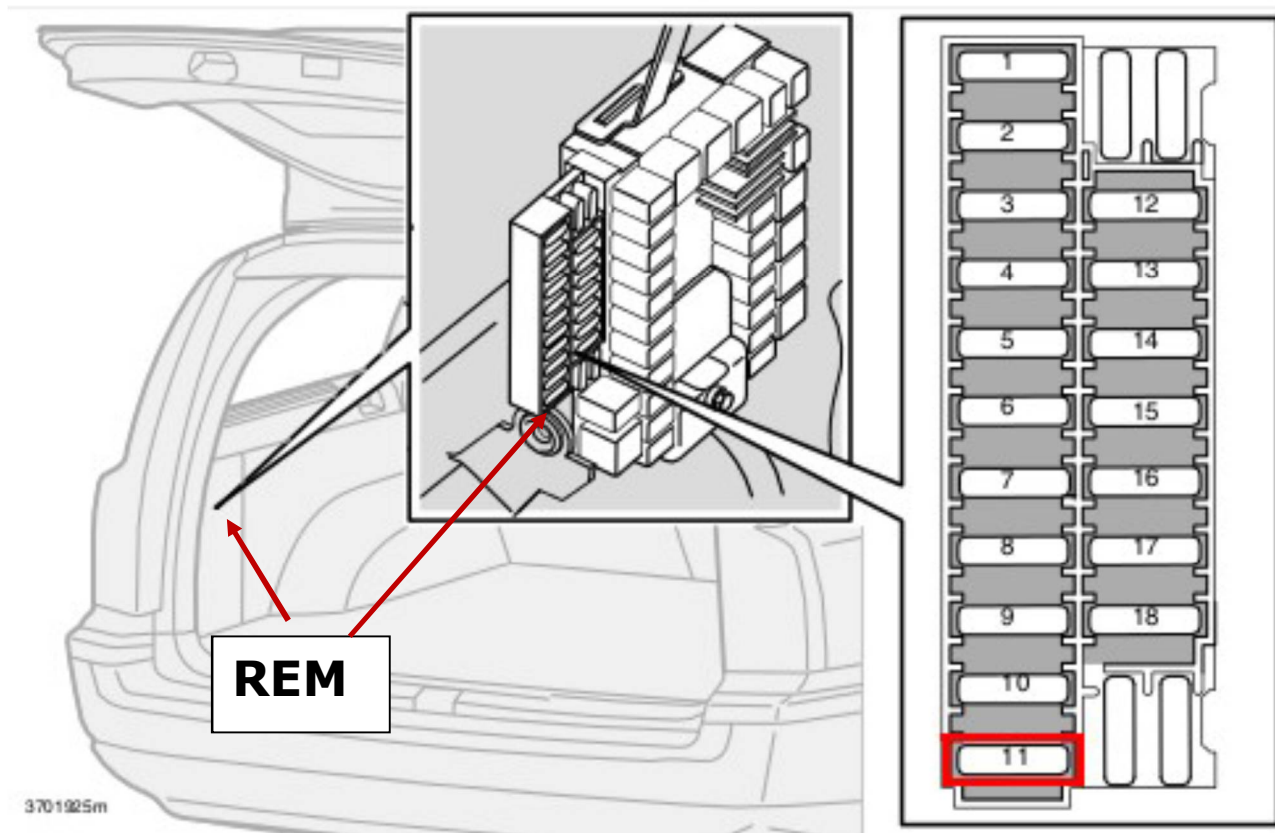
BUT NOTE: ALWAYS CHECK IN YOUR CAR!



The second way : *(Valid check for S60,S80,V/XC70 MY2004 and earlier)*

Check **position 11** of the REM fuse locations .
(The REM is the electronica module in the trunk, left. If you open the little hatch in the left part of the trunk, you'll see fuses and some other electronics.)
Is there a fuse in there? (Most probably 15A) Then you most probably have a AEM Module installed.

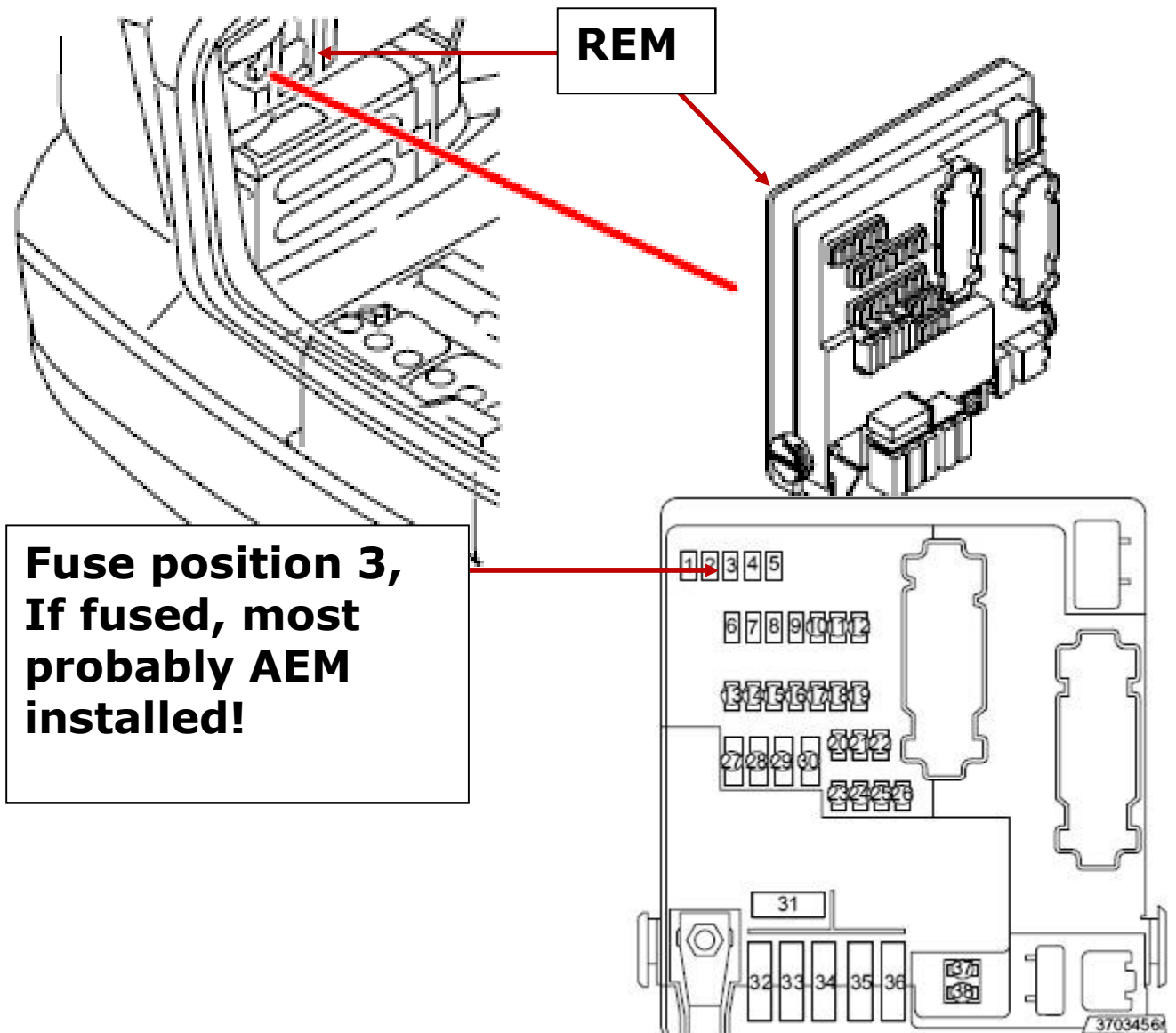
If there is no fuse, but the position 11 has metallic clamps to stick a fuse in, most probably you do have a AEM cable!





The third way: (Valid for S60,S80,V/XC70 MY2005 and up)

Check **position 3** of the REM fuse locations .
(The REM is the electronica module in the trunk, left. If you open the little hatch in the left part of the trunk, you'll see fuses and some other electronics.)
Is there a fuse in there on position 3? (Most probably 15A)
Then you most probably have a AEM Module installed.

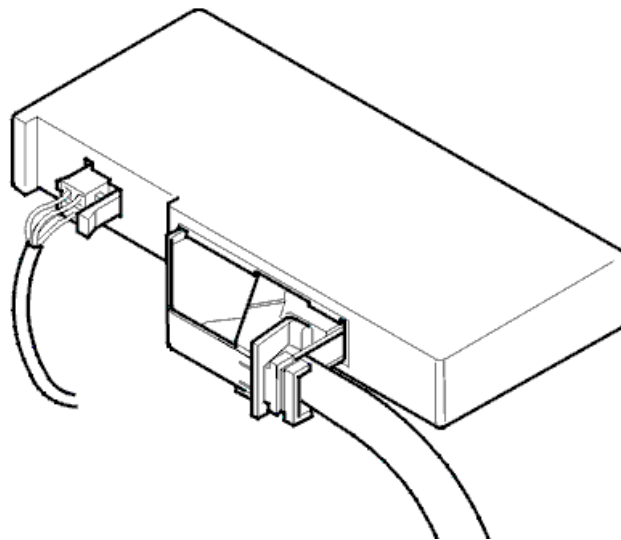




The fourth way, and the confirmation: (Valid for ALL cars!)

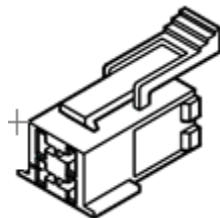
To confirm the AEM cable to be there, finally check if you can find the AEM connector or AEM module.

The module can be found in the RIGHT part of the trunk of your Volvo.
Open the little hatch on the right part in the trunk and see if you can find a module looking like the one here:
(note: it might be mounted vertically!)



AEM UNIT

If you can not find the AEM module, please continue looking for the AEM Cable with a connector like this one:



AEM CONNECTOR



Note that the cable (and connector) might be pushed away / taped to some other cabling in that particular location, and might require peeling of some tape and foam! Do not hesitate to do so!



INSTALLATION OF CFE, WITH CFE-AEM Connection set.

Page 6 of 8

CopyRight 2012, VolvoTech.EU

C: BE || CD 12903 || RD 130122 || V 1.2 || HC 1 || FC 8.0 || manual-
EN-installation-CFE-AEM-v1.2.doc

Contact details:
VolvoTech.EU
support@volvotech.eu



Check power availability on the AEM connector;

Connect the CFE-AEM Connection cable to the AEM connector in the car.
IF required, remove the AEM connector from the AEM Module and put the CFE-AEM Connection cable "in between" the original AEM cable and the AEM Module.

Check if the FUSE is placed. (See above items for location!)

Connect the 9PIN D connector from the AEM-Connection set to the CFE.

DONE. ALL DONE. THAT'S IT!

Notes:

- Once the CFE makes a connection to the CanBus system of the car, the warning lights of the car will blink 3 times.
- The CFE will only start "working" the first time, after you close and open a door.
- The CFE's leds will start lighting (Amber colored) the moment communication with the car is active.

Enjoy the CFE!