

# VolvoTech.EU MANUAL



<b>Kind</b>	Installation manual
<b>Title</b>	Installation manual Aux2BT XC90
<b>Language</b>	English
<b>Version</b>	1.00
<b>Date</b>	June 14 <sup>th</sup> 2014
<b>Applicable to</b>	Aux2BT upgrade in XC90 with Aux
<b>Contents</b>	Manual describes the installation of the Aux2BT in XC90.



# Aux2BT installation manual in XC90

## Applicable to:

*Aux2BT (VolvoTech's Aux2BT installation)*

Installation manual and description of connections.

## Pre requirements for this document to be useful:

- Volvo XC90 with auxiliary in mid-arm-rest
- Aux2BT available

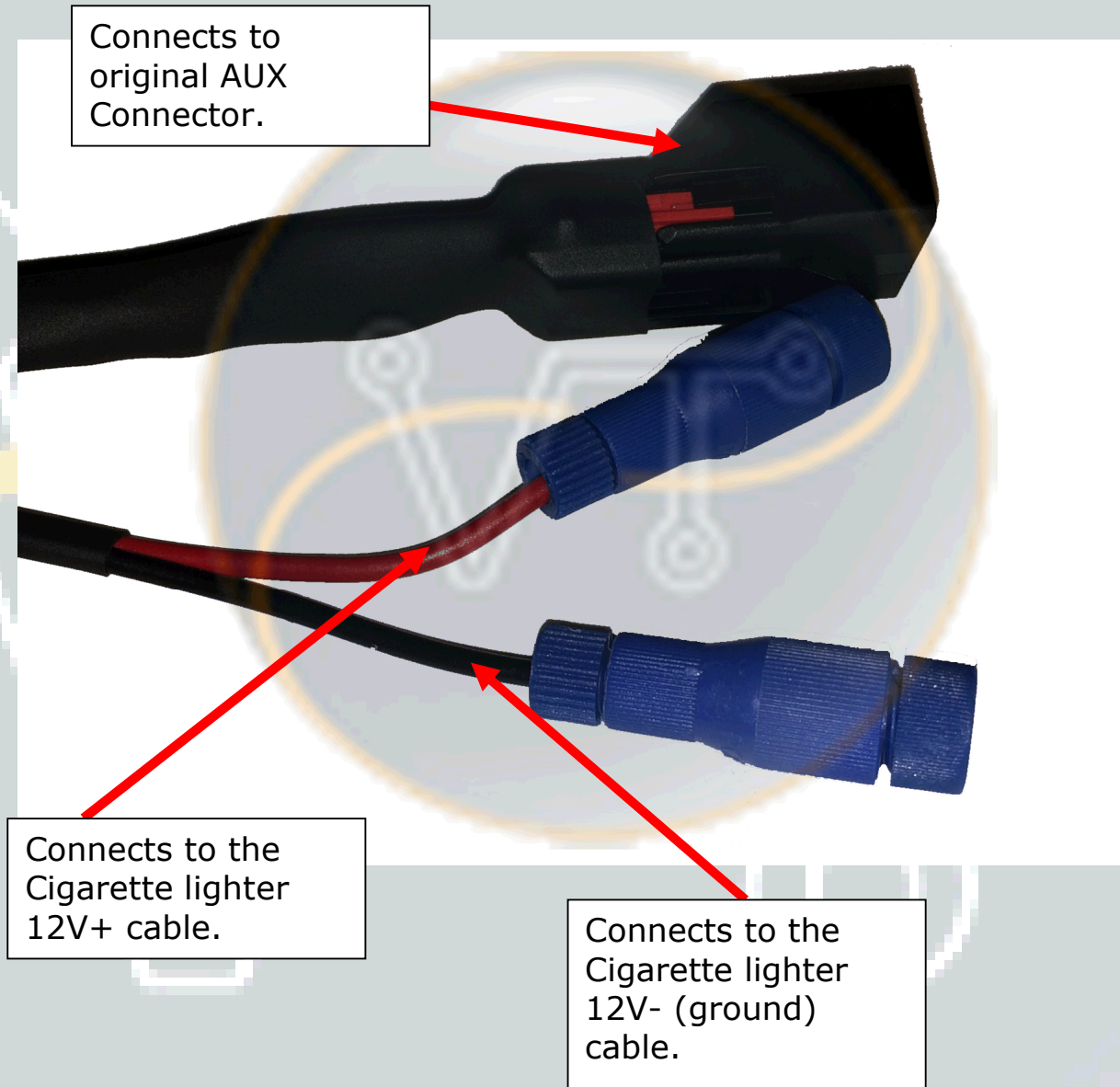
## Need to know:

- Obviously we try to put as much information in a manual as we can. Sometimes things are "normal" and "of base logic" to us, which might not be for you, simply because you are not installing electronics in your car daily, and we are. Please in cases where we seem to miss out on information in a manual; think logically, measure power and/or contact us!
- In case you might have any questions, please email us at [support@volvotech.eu](mailto:support@volvotech.eu)



## CONNECTIONS

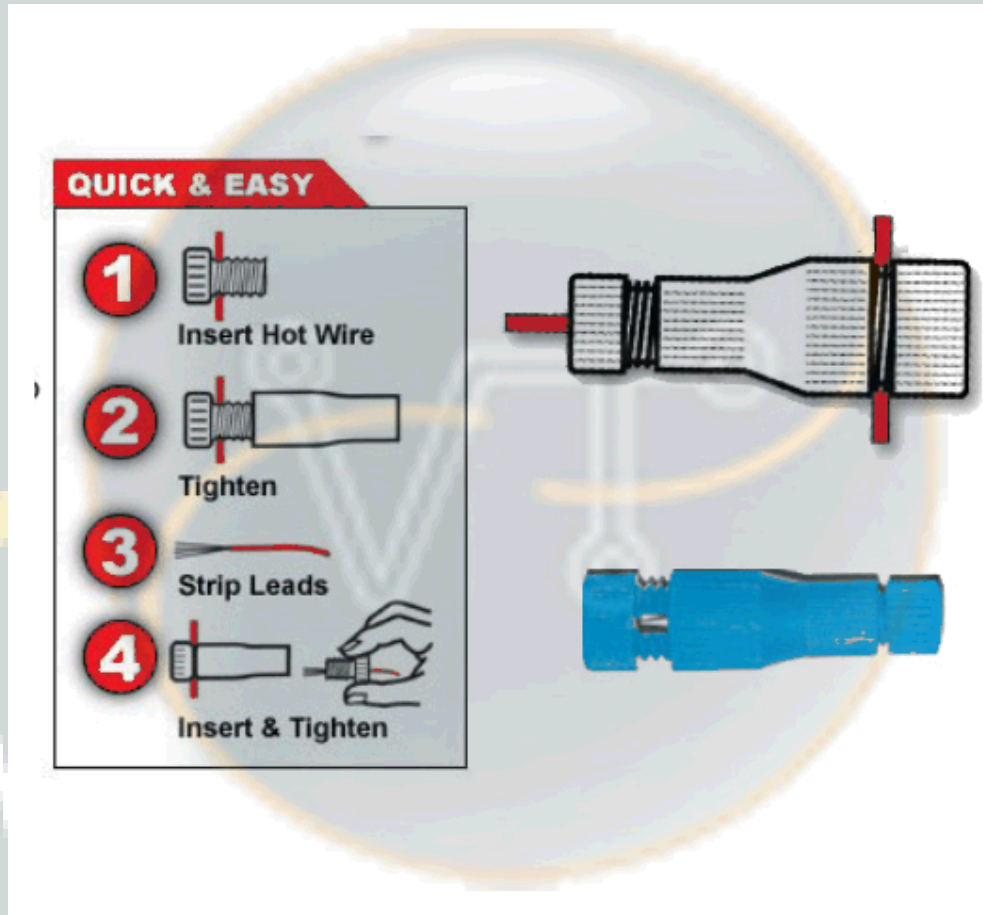
Please read carefully before performing installation:





## CONNECTOR FOR POWER:

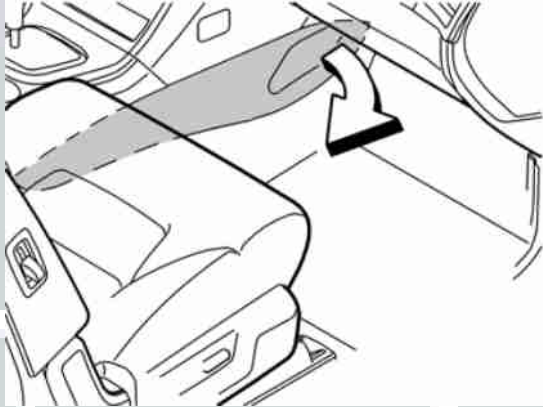
Please read carefully before performing installation:



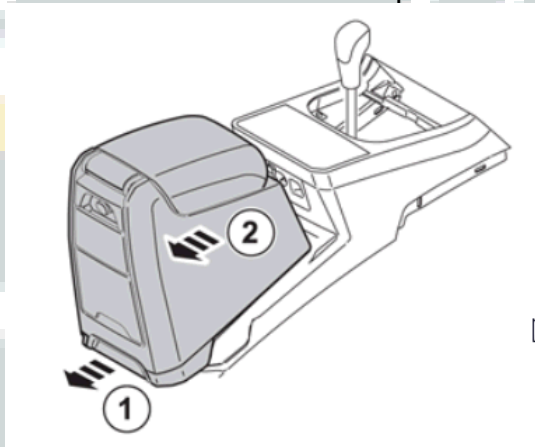


## INSTALLATION IN YOUR VOLVO

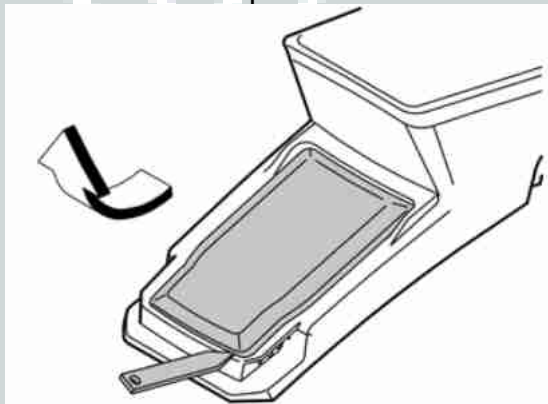
Remove side panel of tunnel console:



Remove mid-armrest rear part:

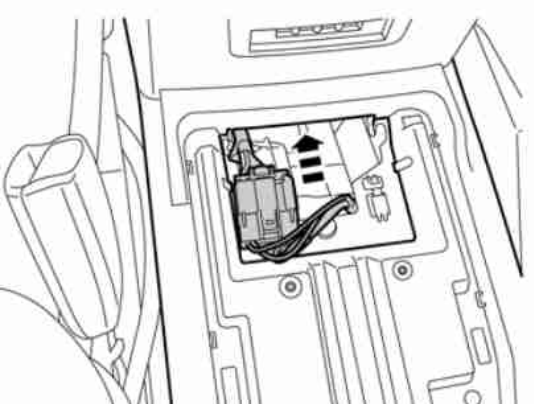


Remove bottom plate:





Find the purple and black wires.



**Connect :**

Aux2BT **RED** cable to **PURPLE**  
Aux2BT **BLACK** cable to **BLACK**



Then reach inside with your hand in the direction of the Aux connector.  
Disconnect the connector there and connect that to the Aux2BT connector.

Test the installation;

- switch ignition to position 2.
- select AUX source on your radio.
- enable Bluetooth on the phone (or similar device) and search for "VolvoTech" as bluetooth device.
- play music.
- In reverse order, complete the installation by putting back all panels.

Installation finished.